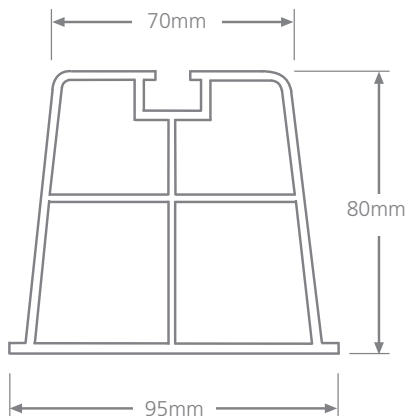




Condensing Unit Blocks

Dimensions:



Other Features:

- 2 lengths available
450mm & 1000mm
- 450mm (12 per box)
including fixings
- 1000mm (2 per box)
including fixings
- Adapts to all units
- Material: PVC shock resistant
-40°C to 60°C
- Maximum load 250kg on
one point



The Condensing Unit Blocks adapt to all units and are available in two lengths, 450mm and 1000mm.

The Condensing Unit Blocks will take up to a maximum load of 250kg on one point, material PVC shock resistant -40°C to 60°C.